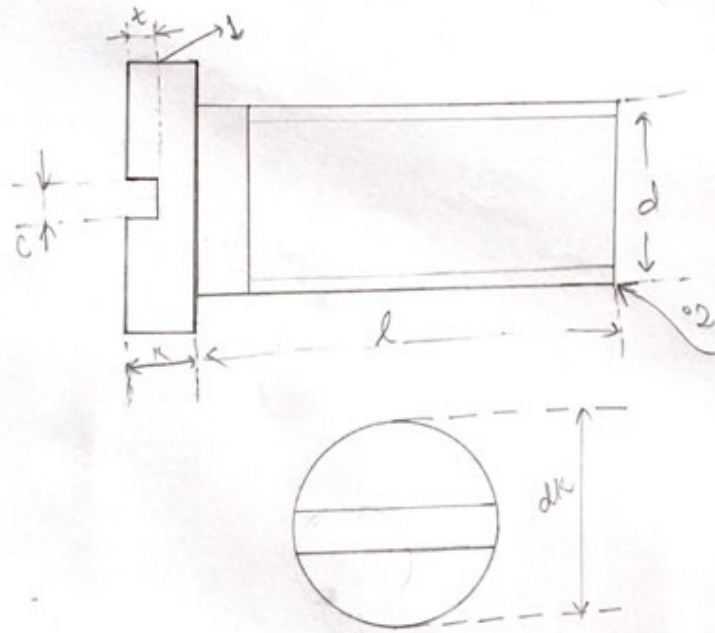
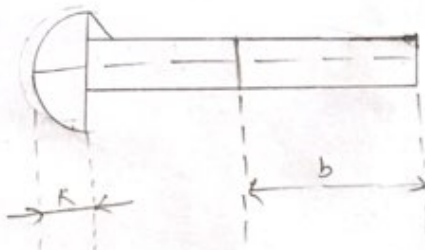


Answer 1

a) Cheese Head Screw :-



b) Cup head screw :-



c) Fillister head screw :-

