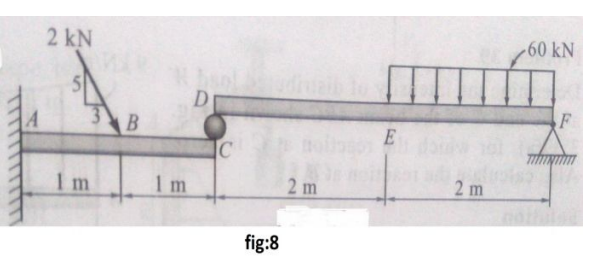
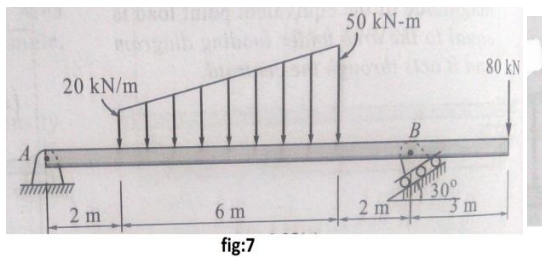
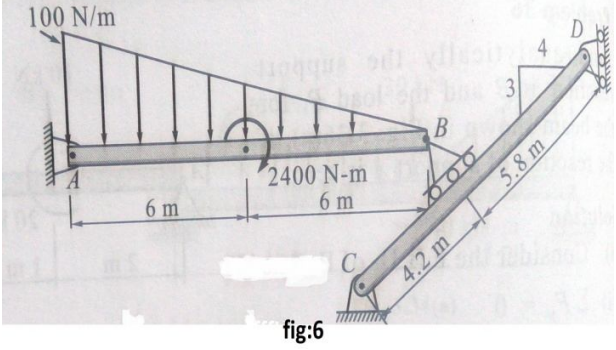
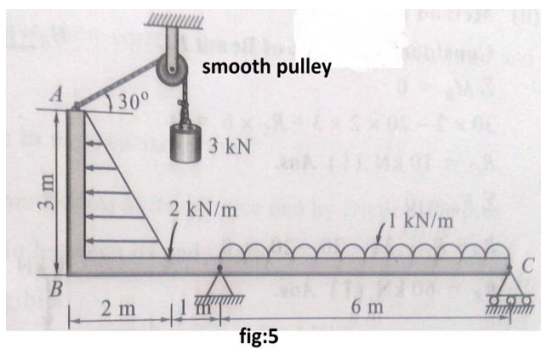
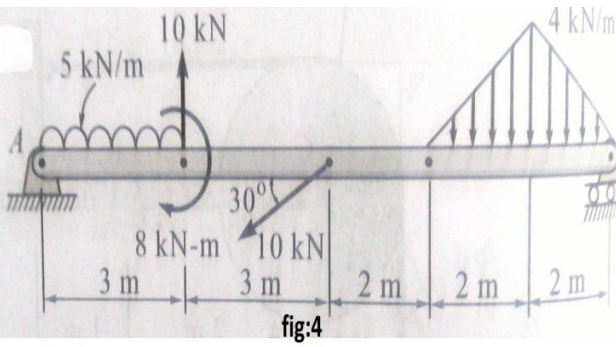
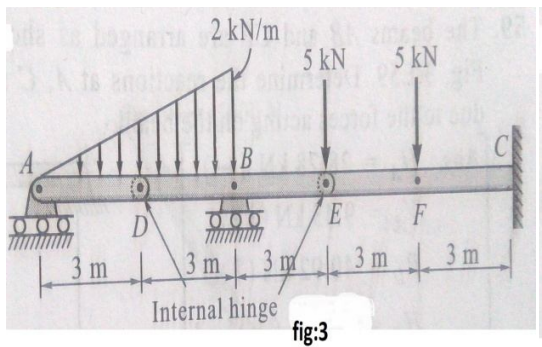
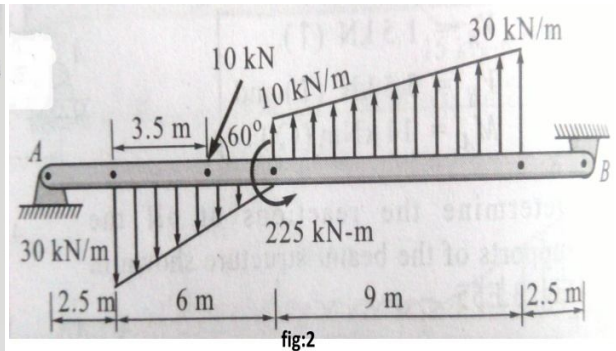
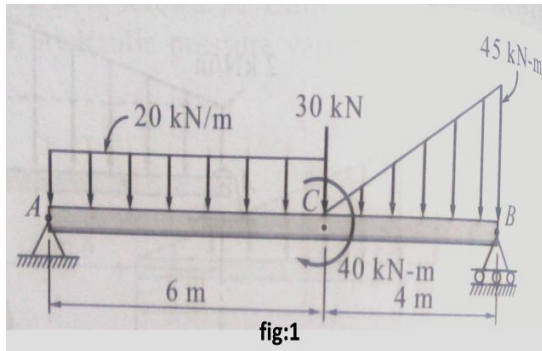


Engineering Mechanics

Third Assignment (2015-16)

Last date of submission 18-02-2016

1) Find support reactions on the beams shown in following figures.



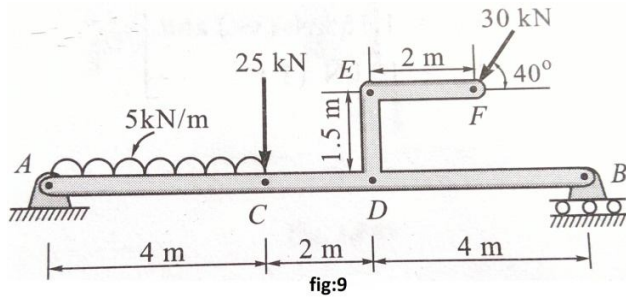


fig:9

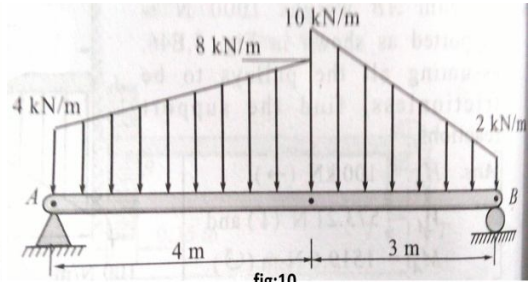


fig:10

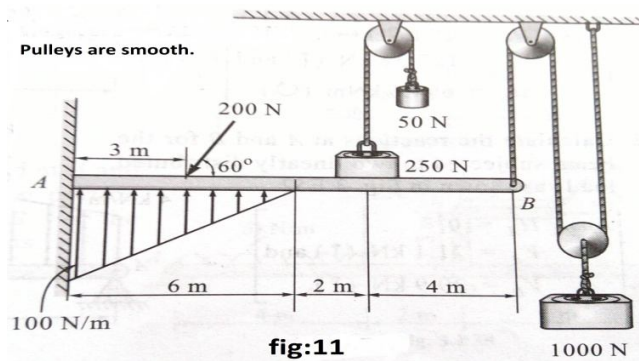


fig:11

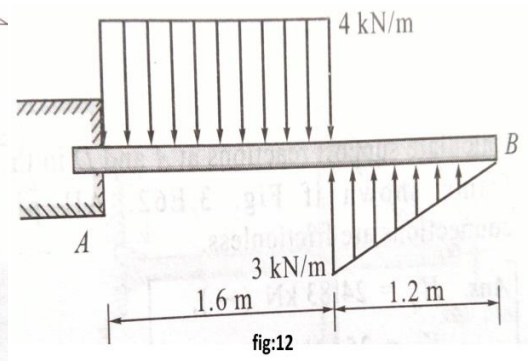


fig:12

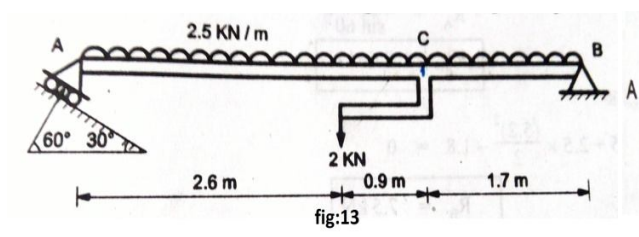


fig:13

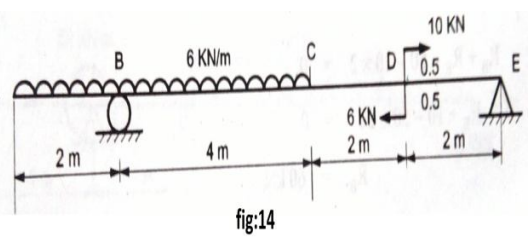


fig:14

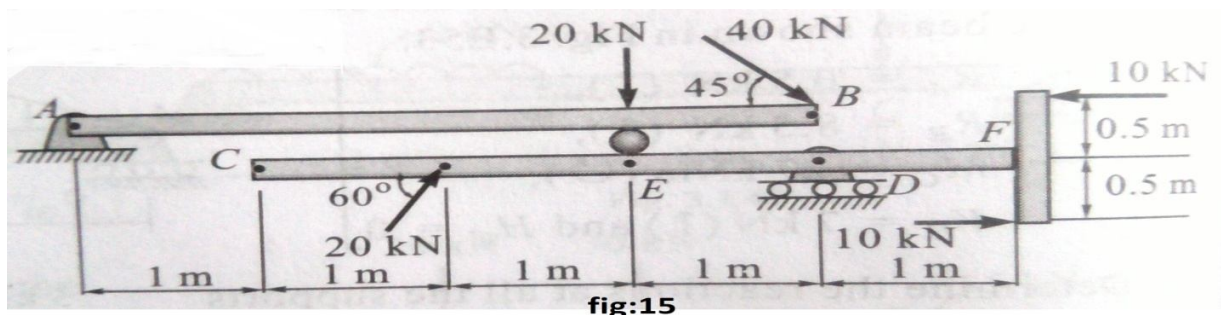


fig:15

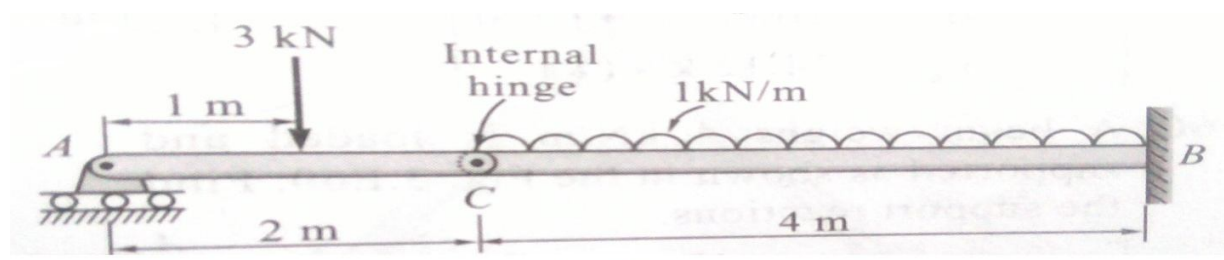


fig:16